

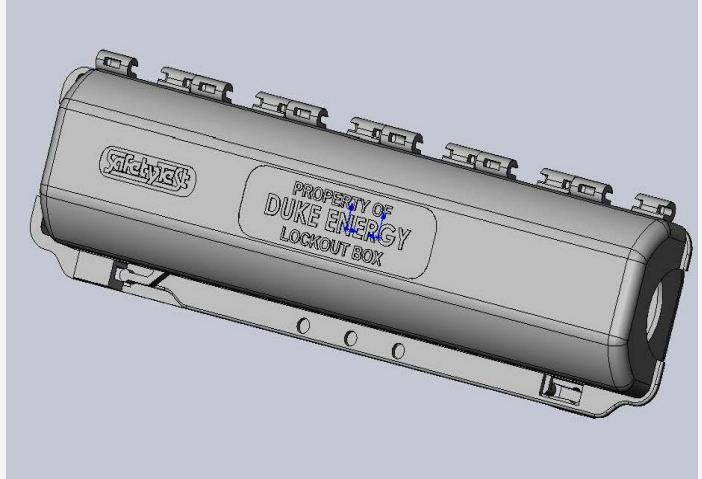
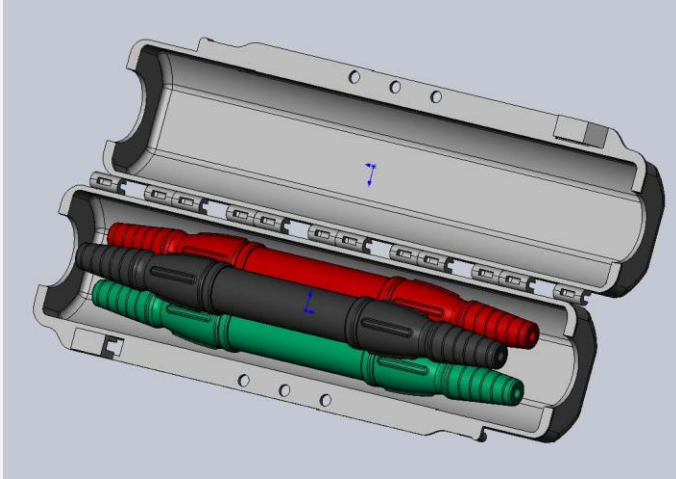


www.safetytest.net

Product Datasheet

AUGUST 2017

ST-CLO-BOX-XL Connector Lockout Box



X-Large Yellow Connector Lockout Box

Product Specifications

Product Type	Connector Lockout Box for Securing Electrical Devices
Lockout Version	X-Large
Accommodates	60 to 200A Rubber In-Line Boots, Metallic / Non-Metallic Pin & Sleeve and Twist-lock Plugs
Housing	UV stabilized polypropylene, heavy duty
Optional Storage Position	Can be stored on cable when not in use.
Color	High Visibility Yellow
Instructional Information	Permanently molded into housing.
Ambient Operating Temperature	140° F to -20° F (60° C to -29° C)
Plug Accommodation	2.90" (73.66 mm) min. 4.8750" (123.825 mm) max.
Plug Length	18.50" (469.9 mm) max.
Cord Entrance Diameter	2.25" (57.15 mm) max.
Maximum # of Padlocks	3 Locks, 3/8" (9.5) shackle dia.
Emax Number	1563697
Item ID	ST-CLO-BOX-XL
Weight in Lbs.	1.6